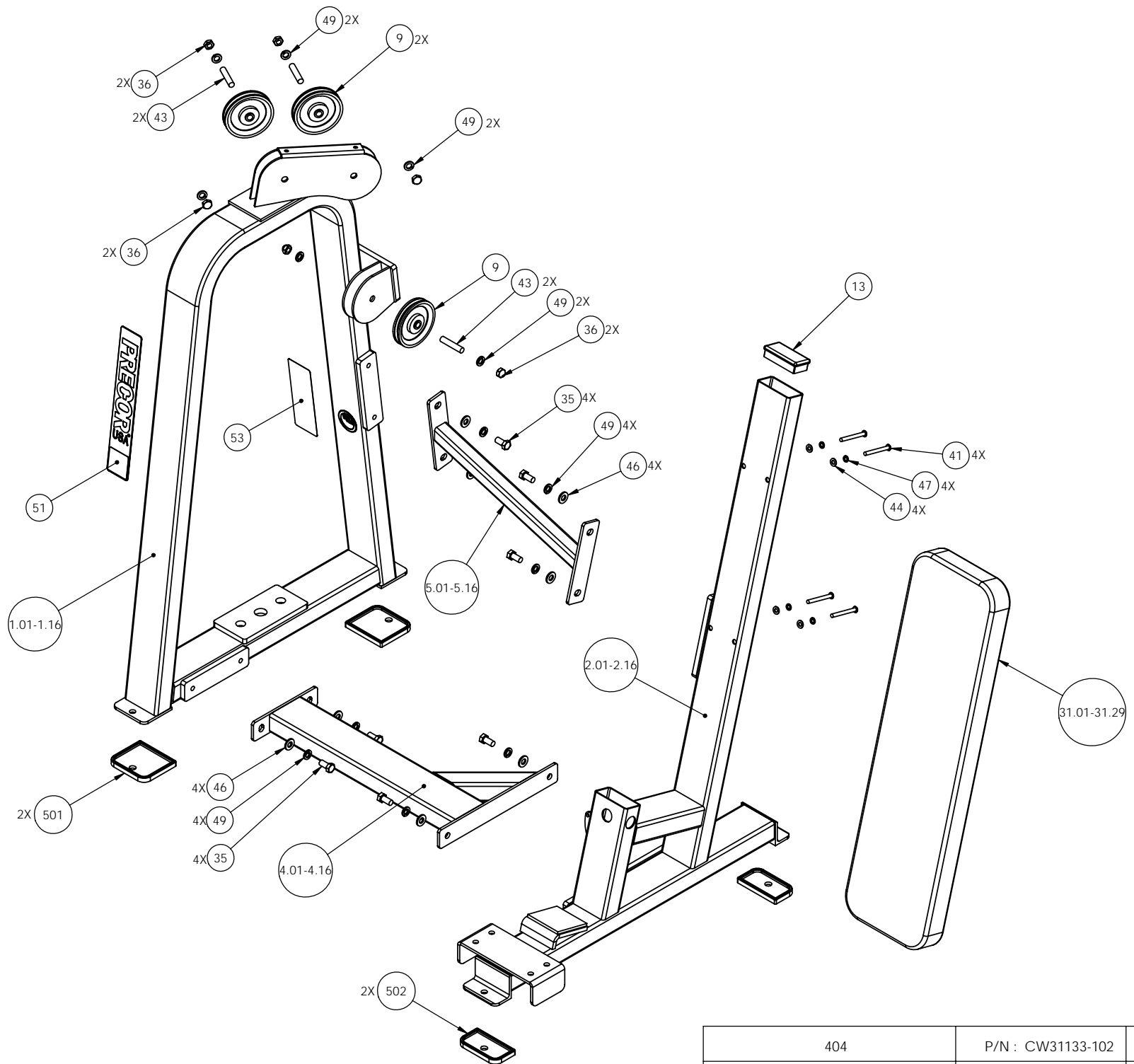
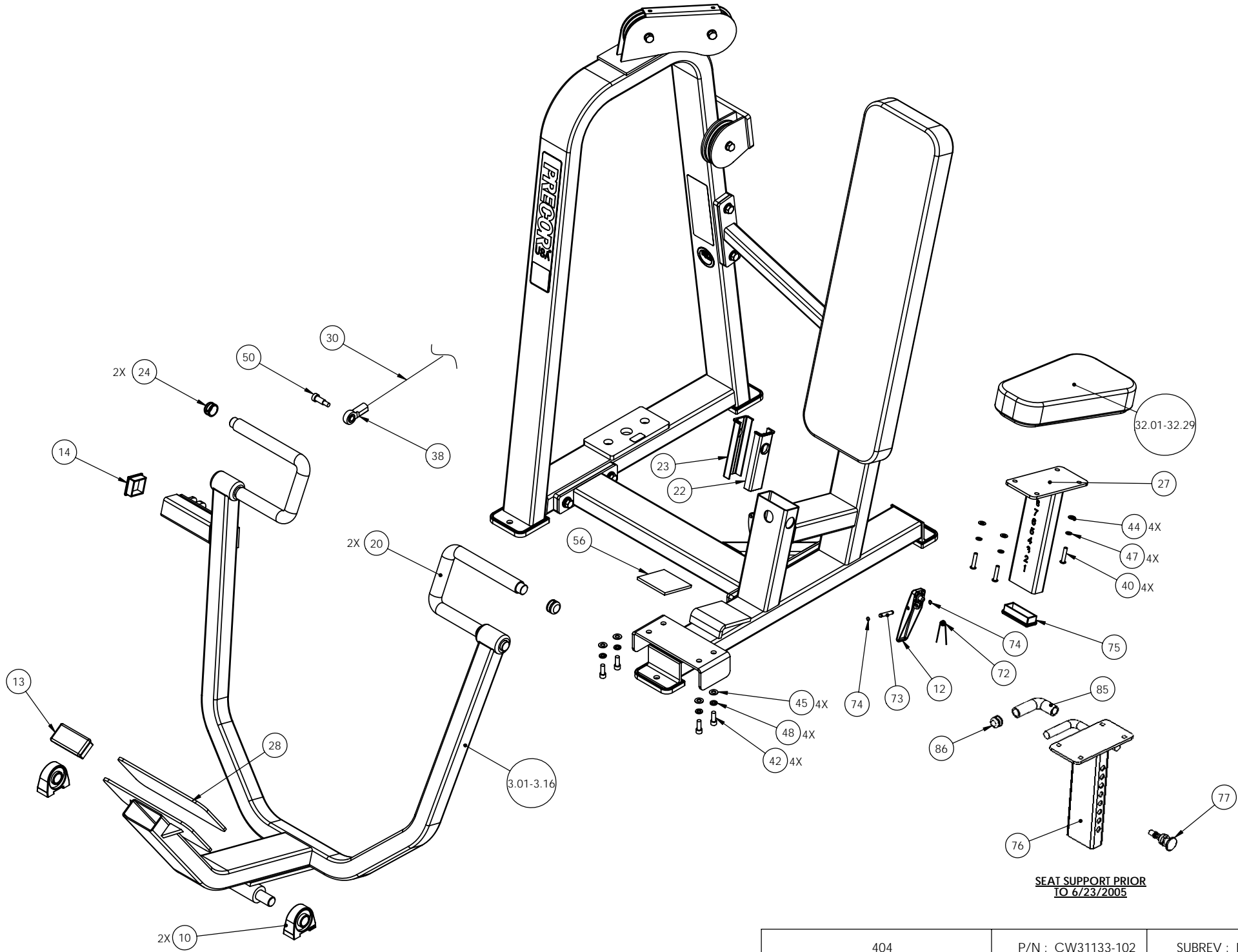


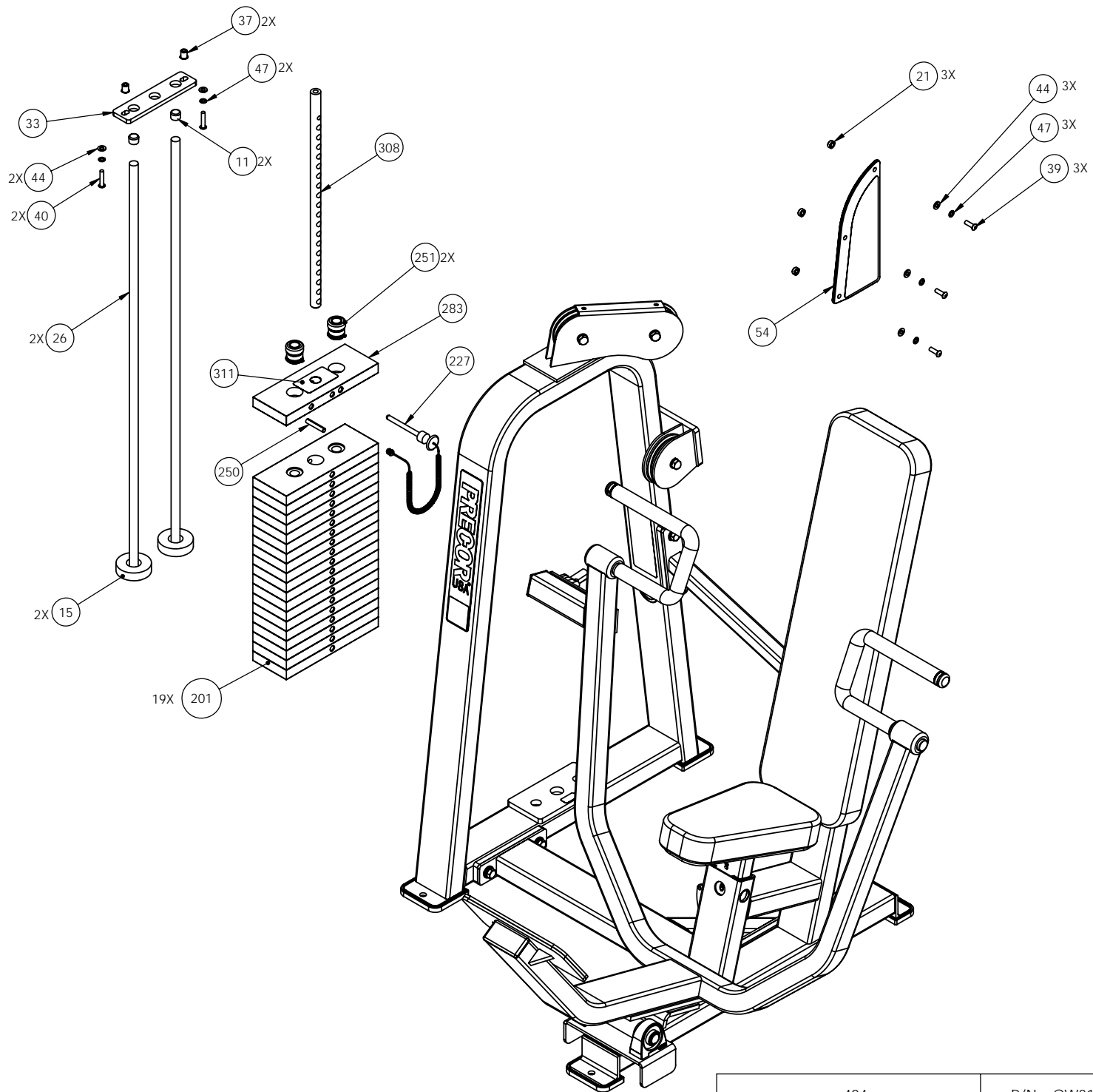
404	P/N : CW31133-102	SUBREV : D
DRAWN BY : CT	DATE : 11.07.05	SHEET 1 OF 4



404	P/N : CW31133-102	SUBREV : D
DRAWN BY : CT	DATE : 11.07.05	SHEET 2 OF 4



404	P/N : CW31133-102	SUBREV : D
DRAWN BY : CT	DATE : 11.07.05	SHEET 3 OF 4



404	P/N : CW31133-102	SUBREV : D
DRAWN BY : CT	DATE : 11.07.05	SHEET 4 OF 4

404 Vertical Chest Press

Part Number	Description	Bubble Number
CW404SA1-211	ASSY,FRAME,MAIN,404,SKY WHITE	1.01
CW404SA1-311	ASSY,FRAME,MAIN,404,STONE HG	1.11
CW404SA1-321	ASSY,FRAME,MAIN,404,TITANIUM HG	1.12
CW404SA2-211	ASSY,FRAME,SEAT,404,SKY WHITE	2.01
CW404SA2-261	ASSY,FRAME,SEAT,404,BLUE	2.06
CW404SA2-312	ASSY,FRAME,SEAT,404,STONE HG	2.11
CW404SA2-321	ASSY,FRAME,SEAT,404,TITANIUM HG	2.12
CW404SA3-211	ASSY,ARM,404,SKY WHITE	3.01
CW404SA3-311	ASSY,ARM,404,STONE HG	3.11
CW404SA3-321	ASSY,ARM,404,TITANIUM	3.12
CW404SA4-211	ASSY,LOWER STRUT,404,SKY WHITE	4.01
CW404SA4-311	ASSY,LOWER STRUT,404,STONE HG	4.11
CW404SA4-321	ASSY,LOWER STRUT,404,TITANIUM HG	4.12
CW404SA5-211	ASSY,UPPER STRUT,404,SKY WHITE	5.01
CW404SA5-311	ASSY,UPPER STRUT,404,STONE HG	5.11
CW404SA5-321	ASSY,UPPER STRUT,404,TITANIUM HG	5.12
CW30037-101	LABEL,INSTRUCTION,404	6
CWAC1001-101	LABEL, "ICARIAN", 1 1/2 X 8 1/8	7
CWAC1002-101	LABEL, "ICARIAN", 3 X 16 3/8	8
CWAC1009-101	PULLEY, 4 1/2 DIA X 1/2 ID	9
CW12406-101	PILLOW BLOCK, BEARING, 2 BOLT	10
CW12404-101	CAP, GUIDE ROD,DIA 3/4, BLK	11
CW32460-221	ASSY, RATCHETING LEVER, BLACK	12
CW11311-102	ENDCAP, REC TUBE, 2X4, BLK PLASTIC	13
CW11311-103	ENDCAP, REC TUBE, 2X2, BLK PLASTIC	14
CW12402-101	BUMPER, ID 1.050, BLK RUBBER	15
CW34822-101	LABEL, "ASSEMBLED IN THE USA"	16
CWAC1183-101	LABEL, WARNING, SERIOUS INJURY	18
CWGR4621-000	GRIP, RUBBER, 1.00" OD HANDLE, 21.0	20
CWAC1228-901	SPACER, ALU,.328 ID X .625 OD X .25	21
CWAC1236-104	GUIDE INSERT, PLASTIC WITH HOLE, BL	23
CWAC218-901	HANDLE END CAP W/SET SCREWS, DIA 1"	24
CWPF1212-711	GUIDE ROD, 3/4 X 42 5/8 (#4), CHM	26
CW32535-711	ASSEMBLY, SEAT ADJUSTMENT, 8 HOLE,	27
CW30013-214	CUT PIECE, CREPE, 1/4 THICK, 6.00 X	28
CWCLGP065-125	ASSY, CABLE, 404	30
CWPD1102J-101	PAD,FLAT,10X36,4HOLES,W/BP,BLACK,W/	31.01
CWPD1207B-101	PAD,5X9X14.5,4HOLES,W/BP,BLACK	32.01
CWPF1016-732	BAR,,FLAT CR/HR, 3/8 X 2 X 8 1/4, 3	33
CWHCYN050-100	SCREW,HEX HEAD,BLK XYLAN,1/2-13 X 1	35
CWKADLN050-081	NUT, ACORN, 1/2-13	36
CW12537-109	NUT,INSERT,THIN-NUT,LARGE FLANGE	37
CWCLFA1064-741	ROD END, FEMALE, STEEL, ZINC, CAD,	38
CWTAYN031-100	SCREW, BUTTON HEAD, BLK XYLAN, 5/16	39
CWTAYN031-150	SCREW, BUTTON HEAD, BLK XYLAN, 5/16	40
CWTAYN031-300	SCREW, BUTTON HEAD, BLK XYLAN, 5/16	41
CWCAYN038-100	SCREW, SOCKET HEAD, BLK XYLAN, 3/8	42
CWBFNN050-250	STUD, 1/2-13 X 2 1/2	43

CWWBKN031-007	WASHER, FLAT, TYPE A, SAE, 5/16 ID	44
CWWBKN038-007	WASHER, FLAT, TYPE A, SAE, 3/8 ID	45
CWWBKN050-010	WASHER, FLAT, TYPE A, SAE, 1/2 ID X	46
CWWALYN031-008	WASHER, SPLIT, 5/16 ID, BL	47
CWWALYN038-009	WASHER, SPLIT, 3/8 ID, BLK XYLAN	48
CWWALYN050-013	WASHER, SPLIT, 1/2 ID, BLK XYLAN	49
CWRANN038-100	BOLT, SHOULDER, 3/8-16 X 1/2 X 1	50
CW31756-101	LABEL, PRECOR USA ICARIAN LINE	51
CW30144-101	ASSY, LABEL,INSTRUCTION,404	54
CW30103-200	WEIGHT STACK,200 LBS,MTP-S,19 X 10	55
CW30013-207	CUT PIECE, CREPE, 1/4 THICK, 3.75 X	56
CW12634-101	SPRING, TORSION 90 DEG X 0.484 X 0.	72
CW31770-742	LATCH PIVOTING PIN, CLR ZN	73
CWAMNN028-003	RING, RETAINING, 2-TURN, SPIRAL, SS	74
CW31143-711	ASSY, SEAT ADJUSTMENT, 8 HOLE, CHM	76
CW30165-752	ASSY, POP PIN, 0.450 DIA NOSE, BLU	77
CWGR4805-000	GRIP, RUBBER, .75" OD HANDLE, 5.00"	85
CWAC220-901	HANDLE END CAP W/SET SCREWS, DIA 3/	86
CW10510-721	ASSY, PLATE, WEIGHT, 10 LBS, WRKL B	201
CW10520-721	ASSY, PLATE, WEIGHT, 20 LBS, WRKL B	202
CWAC1133-101	BUSHING, WEIGHT PLATE, LDPE PLASTIC	203
CW33870-102	ASSEMBLY, 5" WEIGHT STACK PIN & LEA	227
CW33870-102	ASSEMBLY, 5" WEIGHT STACK PIN & LEA	228
CWLDNN038-200	SLOTTED PIN SPRING, DIA 3/8 X 2	250
CW10519-721	PLATE, WEIGHT, 20 LBS, WRKL BLK	279
CW32560-101	ASSY, PLATE, WEIGHT, MED TOP (MTP-S	299
CW30132-711	SELECTOR STEM, 20 PLATE,0.875 DIA,	308
CW33261-101	LABELS,WEIGHT STACK,200 LBS,20-200	399
CW33269-101	LABELS,WEIGHT STACK,250 LBS,20-250	399
CW12537-109	NUT,INSERT,THIN-NUT,LARGE FLANGE	400
CWPF3143-211	SHROUD,SHEET,STEEL,4 BENDS, SKY WHI	402.01
CWPF3143-221	SHROUD,SHEET,STEEL,3/32 THICK,4 BEN	402.02
CWPF3143-231	SHROUD,SHEET,STEEL,3/32 THICK,4 BEN	402.03
CWPF3143-241	SHROUD,SHEET,STEEL,3/32 THICK,4 BEN	402.04
CWPF3143-251	SHROUD,SHEET,STEEL,3/32 THICK,4 BEN	402.05
CWPF3143-261	SHROUD,SHEET,STEEL,3/32 THICK,4 BEN	402.06
CWPF3143-271	SHROUD,SHEET,STEEL,3/32 THICK,4 BEN	402.07
CWPF3143-281	SHROUD,SHEET,STEEL,3/32 THICK,4 BEN	402.08
CWPF3143-291	SHROUD,SHEET,STEEL,3/32 THICK,4 BEN	402.09
CWPF3143-311	SHROUD,SHEET,STEEL,3/32 THICK,4 BEN	402.11
CWPF3143-321	SHROUD,SHEET,STEEL,4 BENDS, TITANIU	402.12
CWPF3143-331	SHROUD,SHEET,STEEL,3/32 THICK,4 BEN	402.13
CWPF3143-341	SHROUD,SHEET,STEEL,3/32 THICK,4 BEN	402.14
CWPF3143-351	SHROUD,SHEET,STEEL,3/32 THICK,4 BEN	402.15
CWPF3143-361	SHROUD,SHEET,STEEL,3/32 THICK,4 BEN	402.16
CWPF3143-711	SHROUD,SHEET,STEEL,3/32 THICK,4 BEN	402.17
CWPF3144-721	SHROUD BRKT,PLATE,STEEL,1/8 THICK,1	403
CWPF3145-721	SHROUD BRKT,PLATE,STEEL,1/8 THICK,2	404
CWTAYN031-100	SCREW, BUTTON HEAD, BLK XYLAN, 5/16	405
CWWALYN031-008	WASHER, SPLIT, 5/16 ID, BL	406
CWWBKN031-007	WASHER, FLAT, TYPE A, SAE, 5/16 ID	407

CWAC1177-101	FLOOR PROTECTOR, RUBBER, 4.563 X 4.	501
CWAC1179-101	FLOOR PROTECTOR, RUBBER, 4.813 X 2.	502